

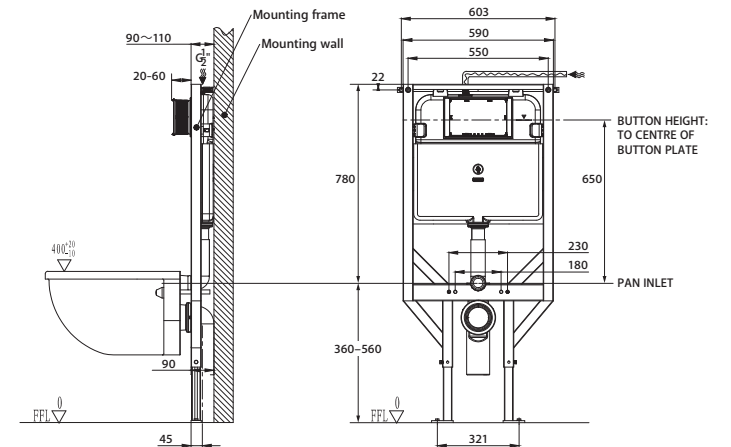
R&T

IN-WALL CISTERN & FRAME

FOR WALL-HUNG PANS

Features

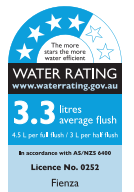
- Suits wall-hung pans
- Operating pressure 10-1000 kpa
- Fits 90mm stud wall
- HDPE one-piece tank
- **WELS 4 Star rated, 4.5L/3L (3.3L average flush)**



G30031



WaterMark



While we aim to ensure specifications are correct at the time of publication, Fienza reserves the right to make modifications without prior notice. Physical colour may vary from image shown. All measurements are shown in millimetres. Always use physical product measurements for mark-ups and roughing-in as the technical drawing may differ from actual product received.